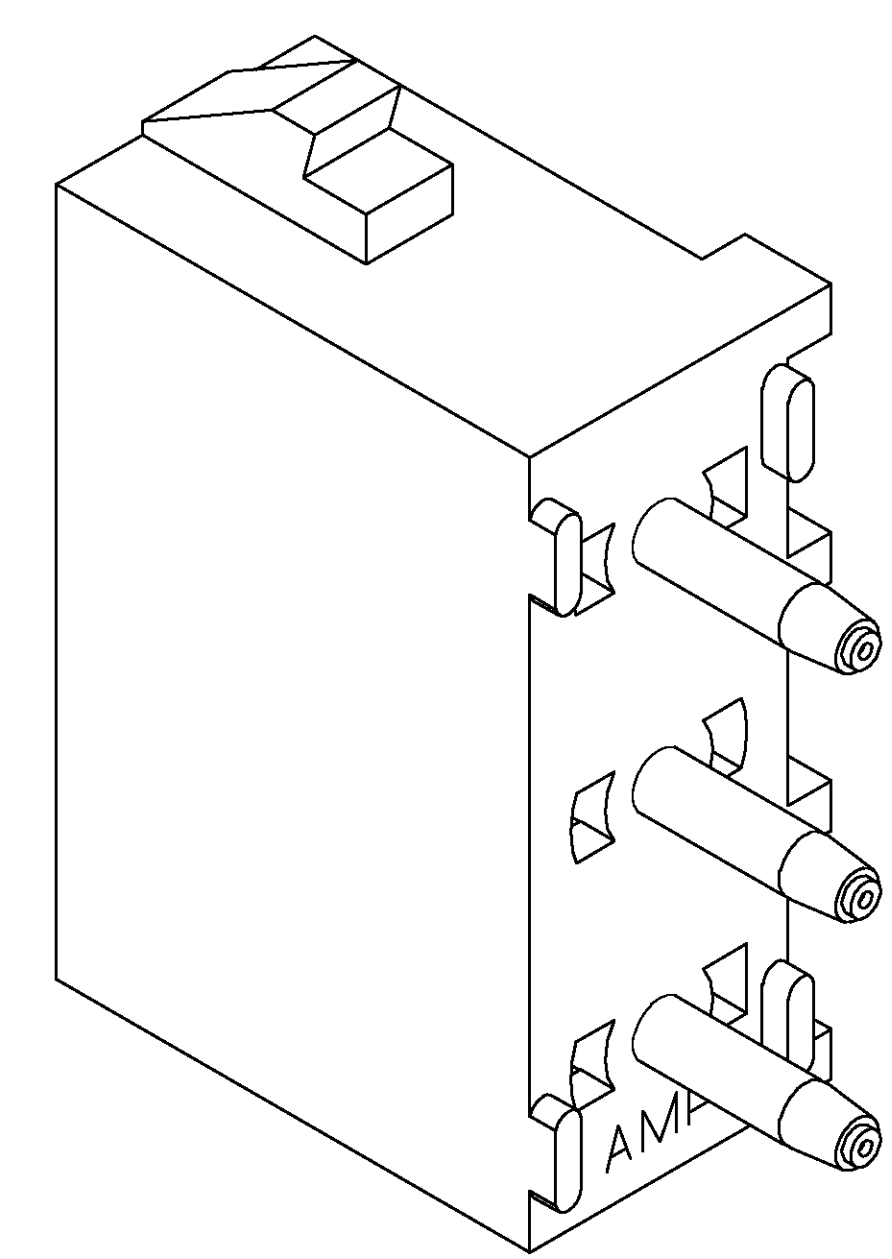
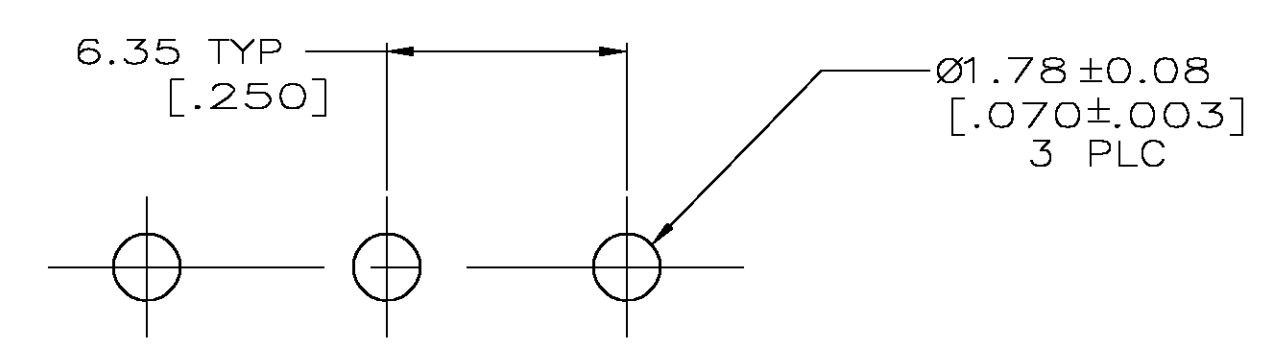
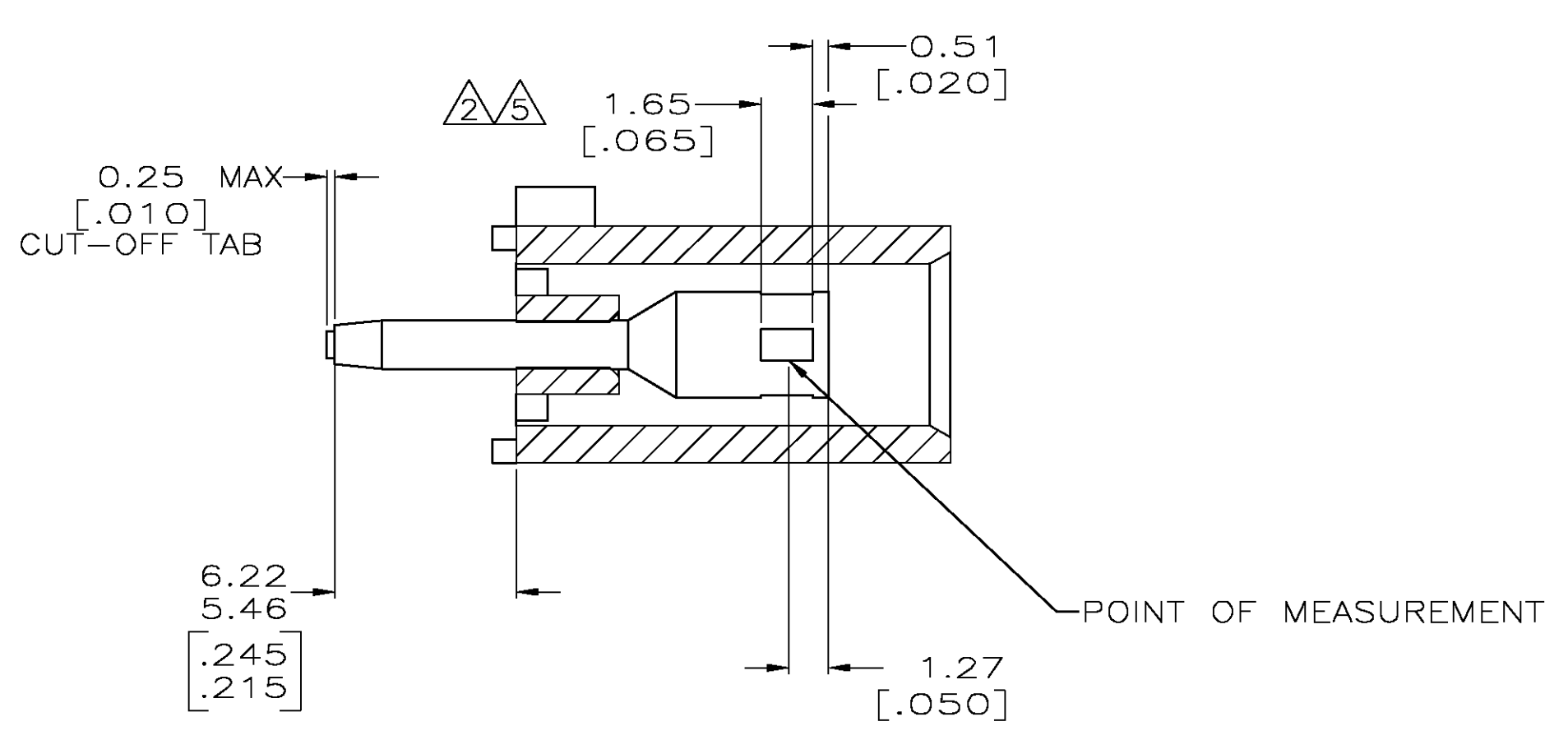


- PARTS COMPLY TO AMP SOLDERABILITY SPECIFICATION 109-11-3.
- CONTACT IS PLATED OVERALL WITH 0.00127 [.000050] NICKEL, THEN 0.00076 [.000030] GOLD OVER CONTACT LENGTH INDICATED AND MATTE TIN LEAD ON SOLDER TAIL END.
- CIRCUIT IDENTIFICATION CHARACTERS ARE ADJACENT TO THE INDICATED CAVITIES, BUT LOCATION AND ORIENTATION MAY DIFFER FROM PRINT.
- DIMENSIONS IN BRACKETS ARE IN INCHES.
- CONTACT IS PLATED OVERALL WITH 0.00127 [.000050] NICKEL, THEN 0.00076 [.000030] GOLD OVER CONTACT LENGTH INDICATED AND MATTE TIN LEAD ON SOLDER TAIL END.



3-DIMENSIONAL MODEL
NTS

PHOSPHOR BRONZE, GOLD	NYLON, UL94V-0, WHITE	350832-4
PHOSPHOR BRONZE, GOLD	NYLON, UL94V-0, WHITE	350832-2
PHOSPHOR BRONZE, PRE-TIN	NYLON, UL94V-0, WHITE	350832-1
CONTACT MATERIAL AND FINISH	HOUSING MATERIAL	PART NUMBER

RECOMMENDED MOUNTING HOLE PATTERN
FOR 3.18 [.125] THICK P.C. BOARD

METRIC

THIS DRAWING IS A CONTROLLED DOCUMENT.

DIMENSIONS: mm [INCHES]	TOLERANCES UNLESS OTHERWISE SPECIFIED: 0 PLC ± - 1 PLC ± - 2 PLC ± 0.13 [.005] 3 PLC ± - 4 PLC ± - ANGLES ± 0°30'	APVD M. TRULL PRODUCT SPEC	APVD M. TRULL APPLICATION SPEC	APVD M. TRULL UNIVERSAL MATE-N-LOK(TM)	RESTRICTED TO
MATERIAL SEE TABLE	FINISH SEE TABLE	WEIGHT -	SIZE A1	DATE CODE 00779	DRAWING NO. C=350832
CUSTOMER DRAWING			SCALE 5:1	SHEET 1 of 1	REV M

DWN: B. LEWIS 8-19-98
 CHK: R. SWING 8-19-98
 NAME: Tyco Electronics Corporation, Harrisburg, Pa 17105-3608
 TITLE: Tyco Electronics
 PRODUCT SPEC: SOCKET HEADER ASSEMBLY, 3 CIRCUIT
 APPLICATION SPEC: UNIVERSAL MATE-N-LOK(TM)